

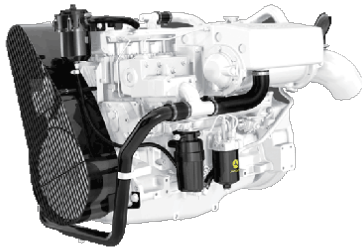
PowerTech

6068SFM75 Diesel Engine

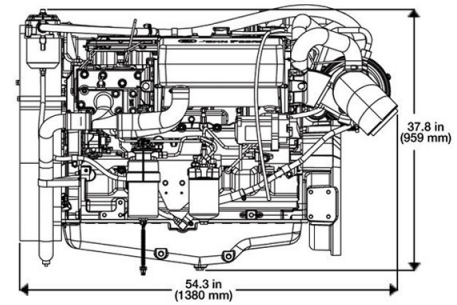
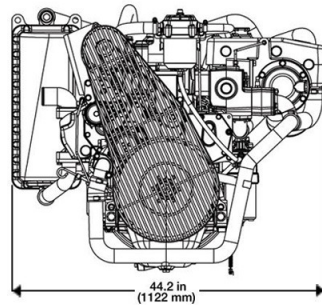
Propulsion Engine Specifications



Dimensions



6068SFM75 shown



Certifications

IMO MARPOL Annex VI

IWT (2004/26/EC)

US EPA Marine Tier 2 Compliant

General data

Model	6068SFM75	Length - mm (in)	1380 (54.3)
Number of cylinders	6	Width - mm (in)	1122 (44.2)
Displacement - L (cu in)	6.8 (415)	Height, Centerline to Top-- mm. (in)	661 (26.0)
Bore and Stroke-- mm (in)	106 x 127 (4.17 x 5.00)	Height, Centerline to Bottom-- mm. (in)	298 (11.7)
Compression Ratio	16.7:1	Weight, dry-- kg (lb)	890 (1962)
Engine Type	In-line, 4- Cycle	Maximum Installed Angle	Front Up – degrees 9 Front Down – degrees 0
Aspiration	Air-to-sea water		

Features and benefits

Watercooled Turbocharger and Exhaust Manifold

- Cooler and quieter environment for vessel and crew
- Reduced external connections eliminates hoses and fittings that can leak or break

Replaceable Wet-type Cylinder Liners

- Excellent heat dissipation
- Hardened and precision machined for long life
- Rebuild to original specifications

Corrosion Resistant Components

- Provides engine protection from the effects of seawater

Heat Exchanger

- High-capacity heat exchanger designed for reliable operation in adverse conditions

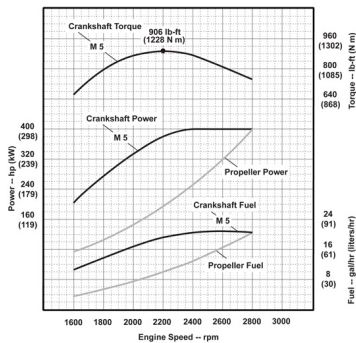
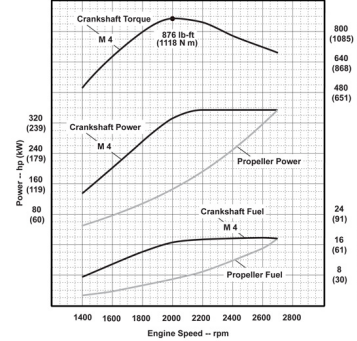
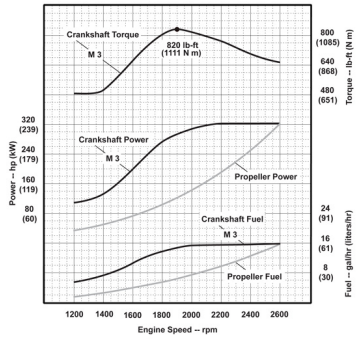
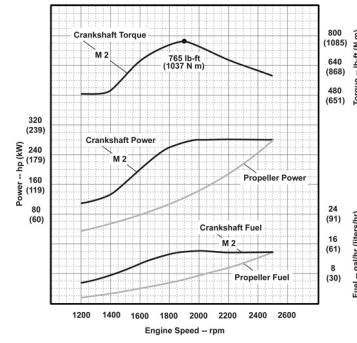
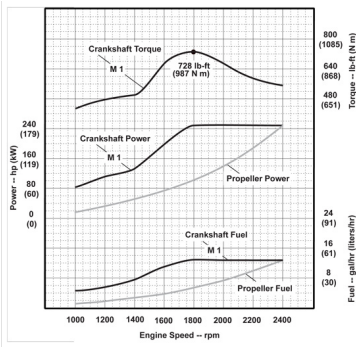
High Torque and Low Rated RPM

- Excellent vessel control and maneuvering
- Lower rated rpm limits vibration and noise for better crew comfort

Fuel System

- Electronically controlled high pressure common rail resulting in excellent fuel economy and excellent performance
- Self diagnostics and protection

Performance curve



Performance data	M5	M4	M3	M2	M1
Rated Power - kW (hp)	298 (400)	265 (355)	239 (321)	209 (280)	186 (249)
Rated Speed - rpm	2800	2700	2600	2500	2400
Low Idle Speed - rpm	600	600	600	600	600
Peak Torque - Nm (ft-lb)	1232 (909)	1188 (876)	1111 (819)	1037 (765)	987 (728)
Peak Torque Speed - rpm	2200	2000	1900	1900	1800
Fuel Consumption - L/h (gal/hr)	77.4 (20.4)	66.9 (17.7)	60.1 (15.9)	52.4 (13.8)	47.1 (12.4)

M rating	M5	M4	M3	M2	M1
Typical load factor	35 %	40 %	50 %	65 %	> 65 %
Typical annual usage (hr)	300	800	2000	3000	> 3000
Typical full-power operation (hr)	0.5 of each 8	1 of each 12	4 of each 12	16 of each 24	24 Uninterrupted

John Deere Power Systems
 3801 W. Ridgeway Ave.
 PO Box 5100
 Waterloo, IA 50704-5100
 Phone: 1-800-533-6446
 Fax: 319.292.5075

John Deere Power Systems
Usine de Saran
 La Foulonnerie - B.P. 11.13
 45401 Fleury les Aubrais Cedex
 France
 Phone: 33.2.38.82.61.19
 Fax: 33.2.38.82.60.00

All values at rated speed and power with standard options unless otherwise noted. Specifications and design subject to change without notice.